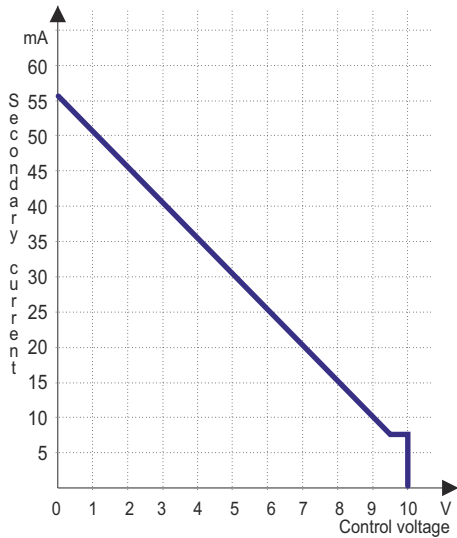


Electronic transformers (EVGs) Control voltage characteristics (0 - 10 V)

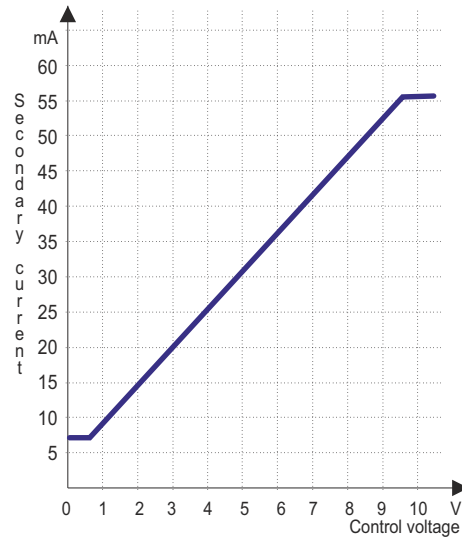
hansen

Secondary current depending on the control voltage:



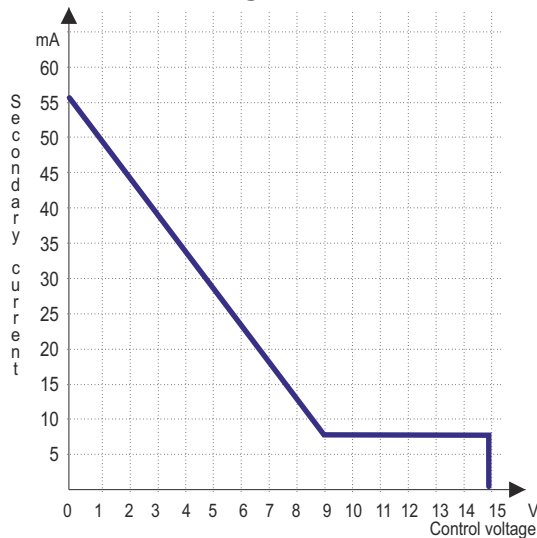
EVG 50/2D
Order No.: 1 5020 102

Secondary current depending on the control voltage:



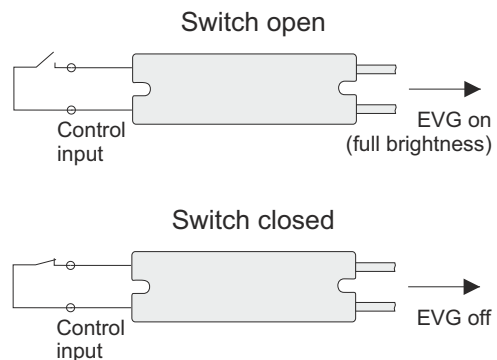
EVG 50/2D
Order No.: 1 5020 002

Secondary current depending on the control voltage:

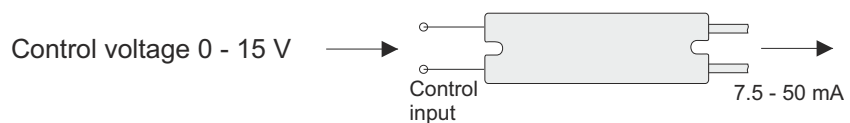


EVG 50/2D
Order No.: 1 5020 152

Switch operation:



Dimmer operation:



Technical modifications reserved. Dec. 2002 Content is protected by copyright. Source: www.hansen-led.com N39E/12/2002