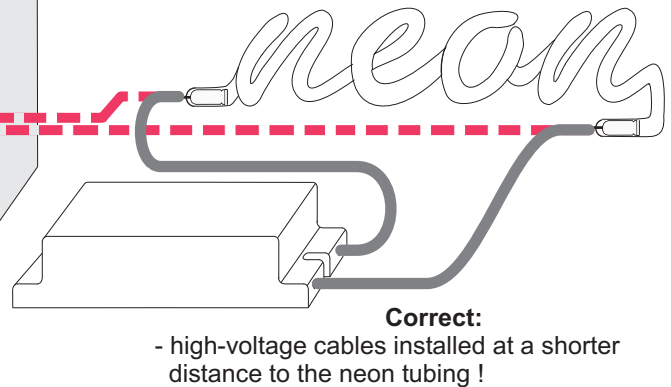
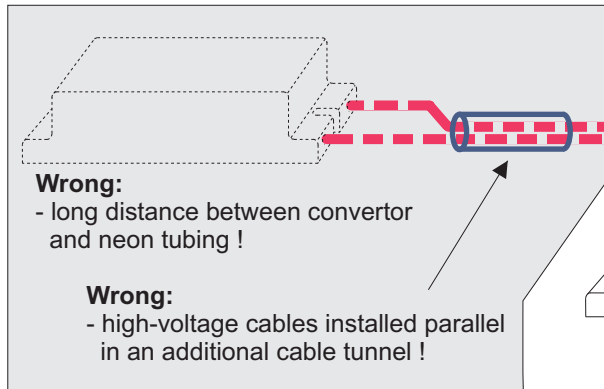
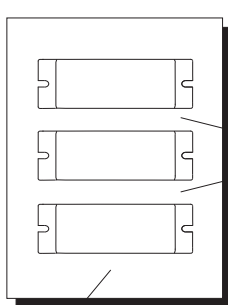


Installation of the high-voltage cables



Avoid accumulation of heat

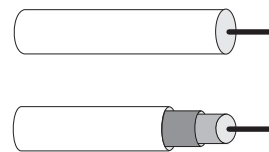


An accumulation of heat must be avoided by all means during installation. The distance between the converters should therefore be at least 2 cm

The EVGs can be mounted directly on metal surfaces without any restrictions !

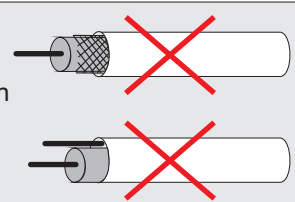
Avoid additional heat by direct sunlight !

High-voltage cable

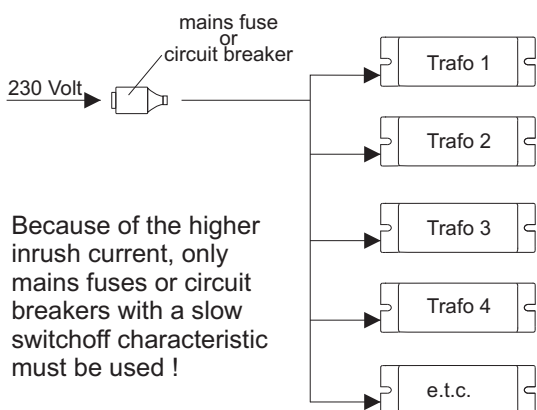


Correct:
Use cables with synthetic insulation only (PVC, silicone, etc.)

Wrong:
Never use cables with an earthed lead wire or metal sheathing !



Use slow fuses

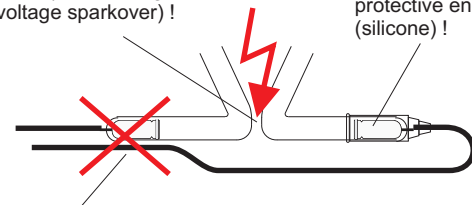


Maintain clearance at high voltage

Special advice for 5 and 8 kV converters:

When connecting long tubes, make sure that the tubes do not touch each other (Caution: high voltage sparkover) !

It is always recommended to use protective end caps (silicone) !



The connecting cable must be installed at a distance from the other electrode connection !