

<u>Type</u>	Electronic transformer for high-voltage luminous discharge tubes according to EN 50107.  Suitable for indoor and outdoor systems. Limited suitability for flash operation.
<u>Weight</u>	0.750 kg
<u>Radio interference suppression</u>	According to VDE 0875, Part 2A1 (EN 55015)
<u>Temperatures</u>	Ambient temperature range: -25 to +65°C Temperature limit: +80°C (max. ambient temp. that the EVG is able to withstand for a short period of time without being destroyed)
<u>Housing</u>	Polystyrene shell Standard colour: white Sealing compound: polyurethane (black)
<u>Class of protection</u>	I
<u>Degree of protection</u>	IP 67

<b>Primary Data</b>	
<u>Mains voltage</u>	230 V, +/- 10 %, 50 / 60 Hz
<u>Current consumption</u>	Depends on the connected tube load; max. 0.60 A cos phi 0.95

<b>Protective Equipment</b>	
<u>Safety fuse</u>	Integrated 1 A melting fuse offering protection against internal short circuits
<u>Earth leakage trip</u>	(acc. to EN 50107) integrated in the transformer
<u>Open circuit protection</u>	(acc. to EN 50107) integrated in the transformer

**Caution:**  
The installation instructions must be observed when using the transformer!

**Secondary Data**

2,000 V with 60 mA constant current, symmetrical alternating current, load-dependent operating frequency, 16 - 20 kHz, centrally earthed secondary winding.

Secondary current tolerance:  
-5/+10 % (of rated value)

Suitable for blue discharge tubes.

Only partly suitable for red discharge tubes due to an occasional jelly bean effect.


**Connectable tube lengths (in metres):**

Blue discharge (outdoor)						
Diameter	10	12	15	18	20	22
1 Syst.	2.3	2.8	3.5	4.1	4.4	4.8
2 Syst.	1.9	2.3	2.9	3.4	3.6	4.0
3 Syst.	1.5	1.8	2.2	2.6	2.8	3.1
4 Syst.	1.0	1.3	1.6	1.9	2.1	2.2
5 Syst.	0.6	0.8	1.0	1.2	1.3	1.4

Blue discharge (indoor)						
Diameter	10	12	15	18	20	22
1 Syst.	2.8	3.5	4.2	5.0	5.3	5.8
2 Syst.	2.4	3.0	3.6	4.3	4.6	5.0
3 Syst.	2.0	2.5	3.0	3.5	3.8	4.1
4 Syst.	1.6	2.0	2.4	2.8	3.0	3.3
5 Syst.	1.2	1.5	1.8	2.1	2.3	2.5

The values given represent the maximum connectable tube lengths which must not be exceeded. Shorter tube lengths, however, may be connected without any restrictions. The tube lengths are calculated on the basis of the 'Filling Pressure Recommendations for Fluorescent Tubes' published by the German *Fachverband Lichtwerbung*.

Housing dimensions



6

160x53x44 mm

Housing colour: white  
All dimensions in millimetres

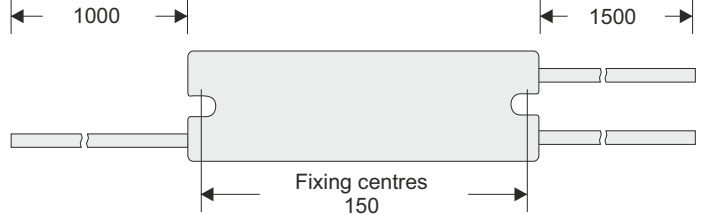
Order no. 1 6020 200

Mains cable:  
H03VV-F, 3x0.75

← 1000 →

High voltage cable:  
NYL, yellow  
7.0 mm (diameter)

← 1500 →



Fixing centres  
150

Technical modifications reserved. June 2014 Content is protected by copyright. Source: www.hansen-led.com D16020200/06/2014